

CMOS Single 8-Channel Analog Multiplexer/Demultiplexer

1 FEATURES

- Qualified for Automotive Applications
- AEC-Q100 Qualified with the Grade 1
- -3dB Bandwidth: 180MHz
- Single Supply Operation: +2.5V to +5.5V
- Low ON Resistance: 48Ω(TYP) With 5V Supply
- High Off-Isolation: -83dB ($R_L = 50\Omega$, $f = 1\text{MHz}$)
- Break-Before-Make Switching
- Binary Address Decoding on Chip
- Operating Temperature Range: -40°C to +125°C
- PACKAGES: TSSOP16

2 APPLICATIONS

- Automotive Infotainment and Cluster
- Automotive Zonal & Body Domain Controller
- HEV/EV Battery Management System (BMS)

3 DESCRIPTIONS

The RS2251-Q1 is a CMOS analog IC configured as an 8-channel multiplexer. This CMOS device can operate from 2.5 V to 5.5 V.

The RS2251-Q1 device are digitally-controlled analog switches. It has low on-resistance (48Ω TYP) and very low off-leakage current (1nA TYP).

The RS2251-Q1 is available in Green TSSOP16 packages. It operates over an ambient temperature range of -40°C to +125°C.

Device Information ⁽¹⁾

PART NUMBER	PACKAGE	BODY SIZE (NOM)
RS2251-Q1	TSSOP16	5.00mm×4.40mm

(1) For all available packages, see the orderable addendum at the end of the data sheet.

4 Functional Diagrams of RS2251-Q1

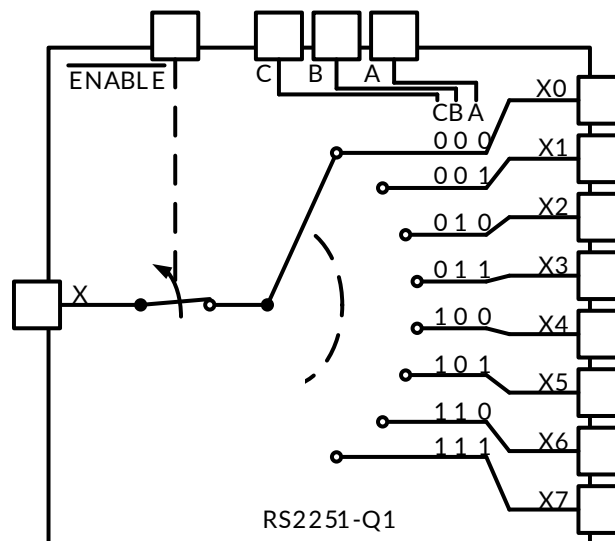


Table of Contents

1 FEATURES	1
2 APPLICATIONS	1
3 DESCRIPTIONS	1
4 Functional Diagrams of RS2251-Q1	1
5 Revision History	3
6 PACKAGE/ORDERING INFORMATION ⁽¹⁾	4
7 PIN CONFIGURATIONS (TOP VIEW)	5
7.1 PIN DESCRIPTION	5
7.2 FUNCTION TABLE	5
8 SPECIFICATIONS	6
8.1 Absolute Maximum Ratings	6
8.2 ESD Ratings	6
8.3 Recommended Operating Conditions	6
8.4 ELECTRICAL CHARACTERISTICS	7
9 TYPICAL CHARACTERISTICS	9
10 Parameter Measurement Information	10
11 Application and Implementation	12
11.1 APPLICATION NOTES	12
12 PACKAGE OUTLINE DIMENSIONS	13
13 TAPE AND REEL INFORMATION	14

5 Revision History

Note: Page numbers for previous revisions may differ from page numbers in the current version.

VERSION	Change Date	Change Item
A.1	2023/02/23	Initial version completed
A.2	2023/07/01	<ol style="list-style-type: none">1. Update PIN DESCRIPTION on Page 5@RevA.12. Modify packaging naming3. Delete SOP16 and QFN3X3-16 PACKAG4. Update ESD Ratings

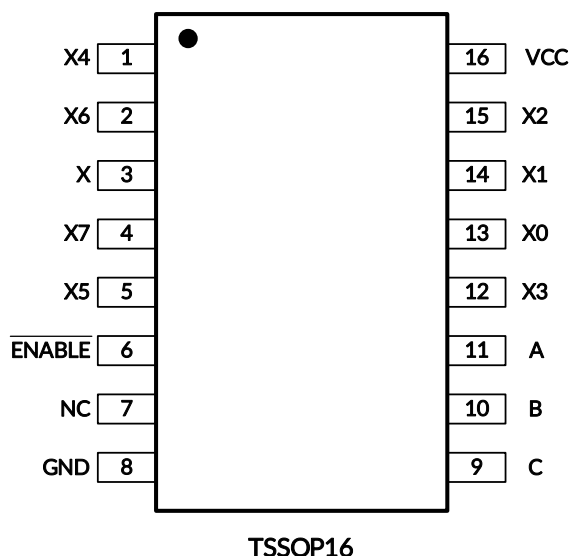
6 PACKAGE/ORDERING INFORMATION ⁽¹⁾

PRODUCT	ORDERING NUMBER	TEMPERATURE RANGE	PACKAG E LEAD	Lead finish/Ball material ⁽²⁾	MSL Peak Temp ⁽³⁾	PACKAGE MARKING ⁽⁴⁾	PACKAGE OPTION
RS2251-Q1	RS2251XT SS16-Q1	-40°C ~+125°C	TSSOP16	NIPDAUAG	MSL1-260°- Unlimited	RS2251	Tape and Reel,4000

NOTE:

- (1) This information is the most current data available for the designated devices. This data is subject to change without notice and revision of this document. For browser-based versions of this data sheet, refer to the right-hand navigation.
- (2) Lead finish/Ball material. Orderable Devices may have multiple material finish options. Finish options are separated by a vertical ruled line. Lead finish/Ball material values may wrap to two lines if the finish value exceeds the maximum column width.
- (3) MSL Peak Temp. The Moisture Sensitivity Level rating according to the JEDEC industry standard classifications, and peak solder temperature.
- (4) There may be additional marking, which relates to the lot trace code information (data code and vendor code), the logo or the environmental category on the device.

7 PIN CONFIGURATIONS (TOP VIEW) (TOP VIEW)



7.1 PIN DESCRIPTION

NAME	PIN	FUNCTION
	TSSOP16	
X0-X7	13,14,15,12,1,5,2,4	Analog Switch Inputs or Outputs X0-X7.
X	3	Analog Switch "X" Input or Output.
Vcc	16	Positive Analog and Digital Supply Voltage Input
A	11	Digital Address "A" Input.
B	10	Digital Address "B" Input.
C	9	Digital Address "C" Input.
GND	8	Ground. Connect to digital ground.
NC	7	No Connect.
$\overline{\text{ENABLE}}$	6	Digital Enable Input. Normally connected to GND.

7.2 FUNCTION TABLE

$\overline{\text{ENABLE}}$ INPUT	INPUT STATES			ON CHANNEL(S)
	C	B	A	
1	X	X	X	NONE
0	0	0	0	X0
0	0	0	1	X1
0	0	1	0	X2
0	0	1	1	X3
0	1	0	0	X4
0	1	0	1	X5
0	1	1	0	X6
0	1	1	1	X7

X=Don't care

NOTE: Input and output pins are identical and inter-changeable. Either may be considered an input or output; signals pass equally well in either direction.

8 SPECIFICATIONS

8.1 Absolute Maximum Ratings

Over operating free-air temperature range (unless otherwise noted) ⁽¹⁾

SYMBOL	PARAMETER		MIN	MAX	UNIT
V _{CC}	Supply Voltage		-0.3	6	V
V _{IN}	Input Voltage (All inputs)		-0.3	V _{CC} +0.3	
I _{IN}	Switch Input Current	Any one input	-20	+20	mA
I _{PEAK}	Peak Switch Current	Pulsed at 1ms Duration, <10% Duty Cycle	-40	+40	
θ _{JA}	Package thermal impedance ⁽²⁾	TSSOP16		45	°C/W
T _J	Junction Temperature ⁽³⁾		-40	150	°C
T _{stg}	Storage temperature		-65	+150	

(1) Stresses above these ratings may cause permanent damage. Exposure to absolute maximum conditions for extended periods may degrade device reliability. These are stress ratings only, and functional operation of the device at these or any other conditions beyond those specified is not implied.

(2) The package thermal impedance is calculated in accordance with JESD-51.

(3) The maximum power dissipation is a function of T_{J(MAX)}, R_{θJA}, and T_A. The maximum allowable power dissipation at any ambient temperature is P_D = (T_{J(MAX)} - T_A) / R_{θJA}. All numbers apply for packages soldered directly onto a PCB.

8.2 ESD Ratings

The following ESD information is provided for handling of ESD-sensitive devices in an ESD protected area only.

			VALUE	UNIT
V _(ESD)	Electrostatic discharge	Human-Body Model (HBM), per AEC Q100-002 ⁽¹⁾	±500	V
		Charged-Device Model (CDM), per AEC Q100-011	±500	
		Latch-Up (LU), per AEC Q100-004	±100	mA

(1) AEC Q100-002 indicates that HBM stressing shall be in accordance with the ANSI/ESDA/JEDEC JS-001 specification.



ESD SENSITIVITY CAUTION

ESD damage can range from subtle performance degradation to complete device failure. Precision integrated circuits may be more susceptible to damage because very small parametric changes could cause the device not to meet its published specifications.

8.3 Recommended Operating Conditions

Over operating free-air temperature range (unless otherwise noted).

SYMBOL	PARAMETER	MIN	MAX	UNIT
V _{CC}	Supply Voltage	2.5	5.5	V
T _A	Operating temperature	-40	+125	°C

8.4 ELECTRICAL CHARACTERISTICS

$V_{CC} = 5.0\text{ V}$ or 3.3 V , FULL = -40°C to $+125^{\circ}\text{C}$ Typical values are at $T_A = +25^{\circ}\text{C}$ (unless otherwise noted)

PARAMETER	SYMBOL	CONDITIONS	V_{CC}	T_A	MIN ⁽¹⁾	TYP ⁽²⁾	MAX ⁽¹⁾	UNIT
ANALOG SWITCH								
Analog Signal Range	V_X, V_X			FULL	GND		V_{CC}	V
On-Resistance	R_{ON}	$V_{CC}=5\text{V}, I_X=1\text{mA}$	5V	+25°C		48	58	Ω
				FULL			67	Ω
		$V_{CC}=3.3\text{V}, I_X=1\text{mA}$	3.3V	+25°C		100	130	Ω
				FULL			140	Ω
On-Resistance Match Between Channels	$\Delta R_{ON}^{(3)}$	$V_{CC}=5\text{V}, I_X=1\text{mA}$ Switch ON	5V	+25°C		1.5	5	Ω
				FULL			5.3	Ω
On-Resistance Flatness	$R_{FLAT(ON)}^{(4)}$	$V_{CC}=5\text{V}, I_X=1\text{mA}$ Switch ON	5V	+25°C		17	25	Ω
				FULL			28	Ω
X_ Off, X Off, X On Leakage Current	$I_{X(OFF)}, I_{X(OFF)}$ $I_{X(ON)}$	$V_{CC}=5\text{V}, V_{X-}=4.5\text{V}$ or 0V $V_X=4.5\text{V}$ or 0V	5V	+25°C		1	1000	nA
				FULL			1000	nA
		$V_{CC}=3.3\text{V}, V_{X-}=1\text{V}$ or 3V $V_X=3\text{V}$ or 1V	3.3V	+25°C		1	1000	nA
				FULL			1000	nA
DIGITAL CONTROL INPUTS ⁽⁵⁾								
Logic Input Logic Threshold High	$V_{AH}, V_{BH}, V_{CH}, V_{ENABLE(H)}$		5V	+25°C	1.7			V
			3.3V	+25°C	1.7			V
Logic Input Logic Threshold Low	$V_{AL}, V_{BL}, V_{CL}, V_{ENABLE(L)}$		5V	+25°C			0.5	V
			3.3V	+25°C			0.5	V
Input-Current High	$I_{AH}, I_{BH}, I_{CH}, I_{ENABLE(H)}$	$V_A, V_B, V_C, V_{ENABLE} = V_{CC}$	3.3V to 5V	+25°C		1	1000	nA
				FULL			1000	nA
Input-Current Low	$I_{AL}, I_{BL}, I_{CL}, I_{ENABLE(L)}$	$V_A, V_B, V_C, V_{ENABLE} = 0\text{V}$	3.3V to 5V	+25°C		1	1000	nA
				FULL			1000	nA

(1) Limits are 100% production tested at 25°C. Limits over the operating temperature range are ensured through correlations using statistical quality control (SQC) method.

(2) Typical values represent the most likely parametric norm as determined at the time of characterization. Actual typical values may vary over time and will also depend on the application and configuration.

(3) This parameter is ensured by design and/or characterization and is not tested in production.

(4) Flatness is defined as the difference between the maximum and minimum values of ON-state resistance over the specified range of conditions.

(5) All unused digital inputs of the device must be held at V_{CC} or GND to ensure proper device operation.

ELECTRICAL CHARACTERISTICS (continued)

V_{CC} = 5.0 V or 3.3V, FULL = -40°C to +125°C Typical values are at T_A = +25°C (unless otherwise noted)

PARAMETER	SYMBOL	CONDITIONS	V _{CC}	T _A	MIN	TYP	MAX	UNIT
DYNAMIC CHARACTERISTICS								
Address Transition Time	t _{TRANS}	V _{X_} = 3V/0V, R _L = 300Ω, C _L = 35pF, See Figure 2	5V	+25°C	150	230	ns	
				FULL		290		
		V _{X_} = 3V/0V, R _L = 300Ω, C _L = 35pF, See Figure 2	3.3V	+25°C	230	380	ns	
				FULL		450		
ENABLE Turn-On Time	t _{ON}	V _{X_} = 3V, R _L = 300Ω, C _L = 35pF, See Figure 3	5V	+25°C	65	120	ns	
				FULL		160		
			3.3V	+25°C	120	210		
				FULL		230		
ENABLE Turn-Off Time	t _{OFF}	V _{X_} = 3V, R _L = 300Ω, C _L = 35pF, See Figure 3	5V	+25°C	150	240	ns	
				FULL		260		
			3.3V	+25°C	200	320		
				FULL		360		
Internal A, B, C Rise Time	t _R		5V	+25°C	50	ns		
			3.3V		80			
Internal A, B, C Fall Time	t _F		5V	+25°C	60	ns		
			3.3V	+25°C	85	ns		
Break-Before-Make Time Delay	t _D	V _{X_} = 3V, R _L = 300Ω, C _L = 35pF, See Figure 4	5V	+25°C	65	130	ns	
				FULL		170		
			3.3V	+25°C	95	160	ns	
				FULL		180		
Charge Injection ⁽¹⁾	Q	R _S = 0Ω, C _L = 1nF, See Figure 5	5V	+25°C	6	pC		
		R _S = 0Ω, C _L = 1nF, See Figure 5	3.3V	+25°C	4	pC		
Off Isolation	O _{ISO}	R _L = 50Ω, f = 1MHz, See Figure 6	5V	+25°C	-83	dB		
-3dB Bandwidth	BW	R _L = 50Ω	5V	+25°C	180	MHz		
			3.3V	+25°C	180	MHz		
Input Off-Capacitance	C _{X(OFF)}	V _{X_} = 0V, f = 1MHz, See Figure 7	5V	+25°C	4.7	pF		
Output Off-Capacitance	C _{X(OFF)}	V _{X_} = 0V, f = 1MHz, See Figure 7	5V	+25°C	12.7	pF		
Output On- Capacitance	C _{X(ON)}	V _{X_} = 0V, f = 1MHz, See Figure 7	5V	+25°C	16	pF		
Total Harmonic Distortion	THD	R _L = 600Ω, f = 20Hz to 20kHz	5V	+25°C	0.7	%		
POWER REQUIREMENTS								
Power Supply Range	V _{CC}			FULL	2.5	5.5	V	
Power Supply Current	I _{CC}	V _{CC} = 5.0V, V _A , V _B , V _C , V _{ENABLE} = V _{CC} or 0	5V	+25°C	0.001	6	μA	
		V _{CC} = 3.3V, V _A , V _B , V _C , V _{ENABLE} = V _{CC} or 0	3.3V	+25°C	0.001	3	μA	

(1) This parameter is ensured by design and/or characterization and is not tested in production.

9 TYPICAL CHARACTERISTICS

NOTE: The graphs and tables provided following this note are a statistical summary based on a limited number of samples and are provided for informational purposes only.

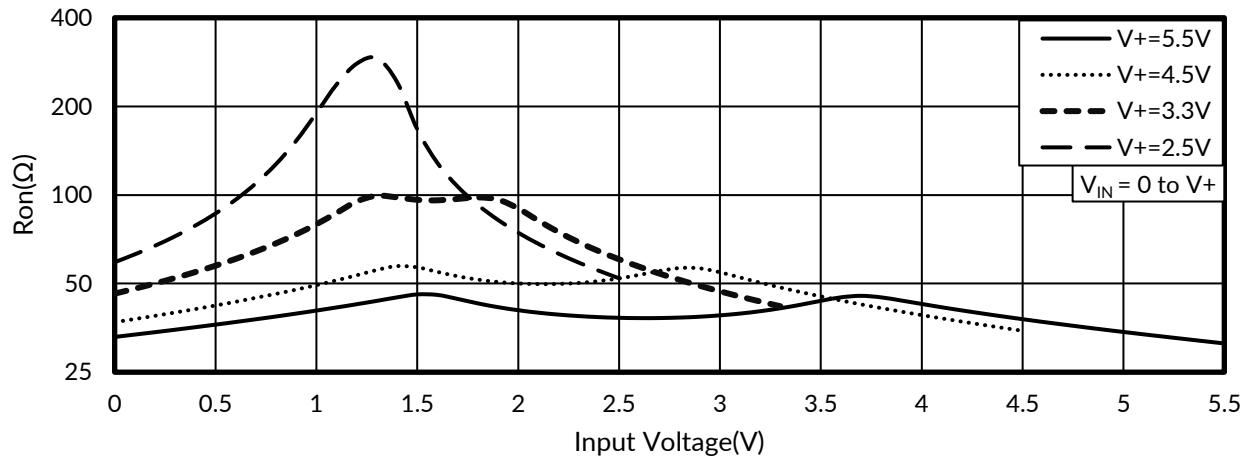


Figure 1. Typical Ron as a Function of Input Voltage

10 Parameter Measurement Information

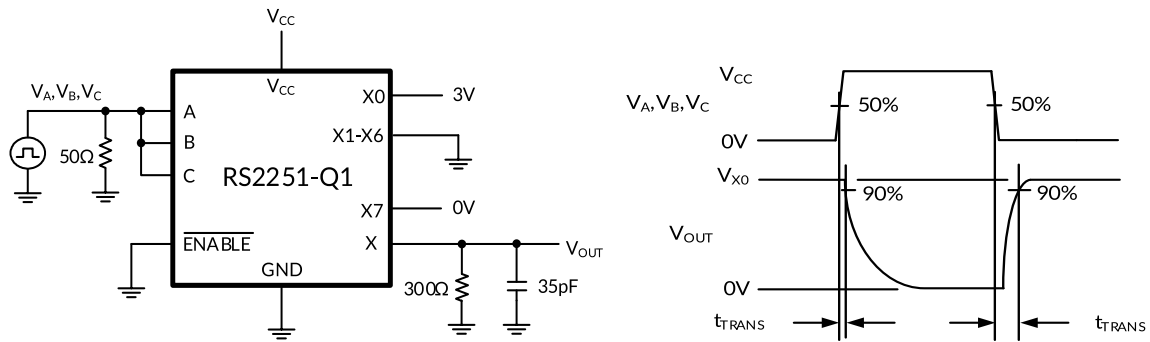


Figure 2. Address Transition Times (t_{TRANS})

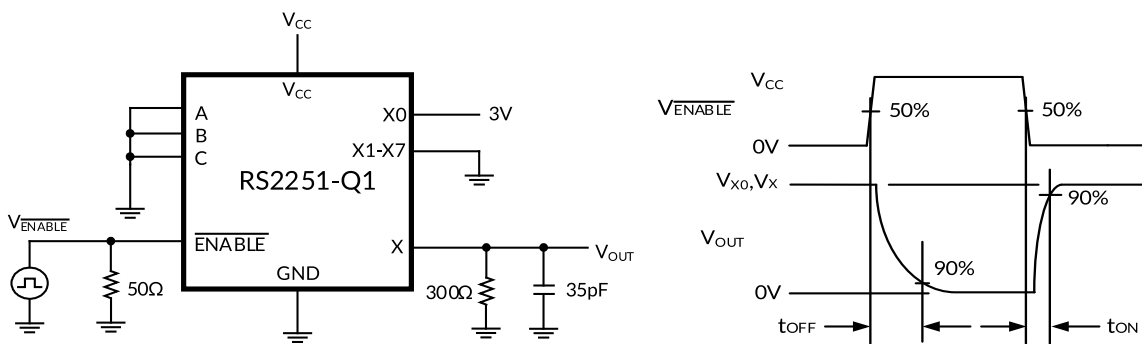


Figure 3. Switching Times (t_{ON} , t_{OFF})

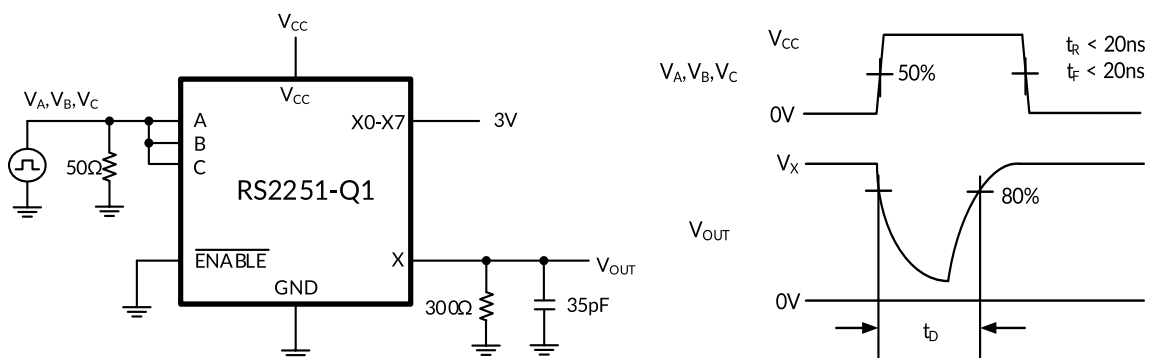


Figure 4. Break-Before-Make Time Delay (t_D)

Parameter Measurement Information (continued)

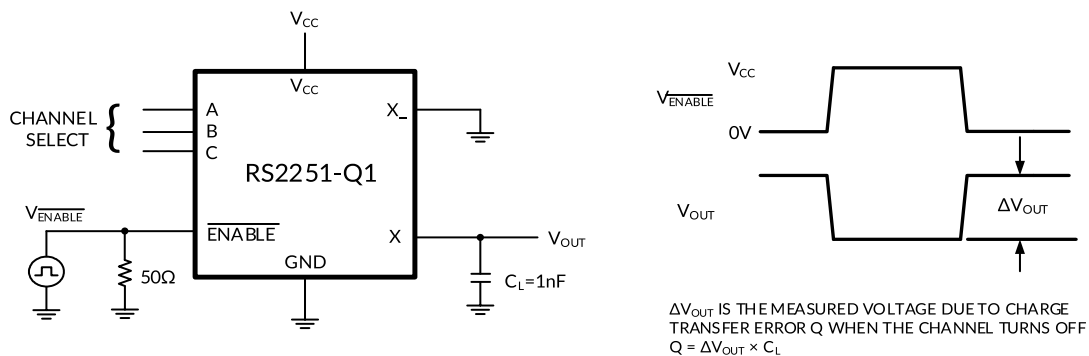
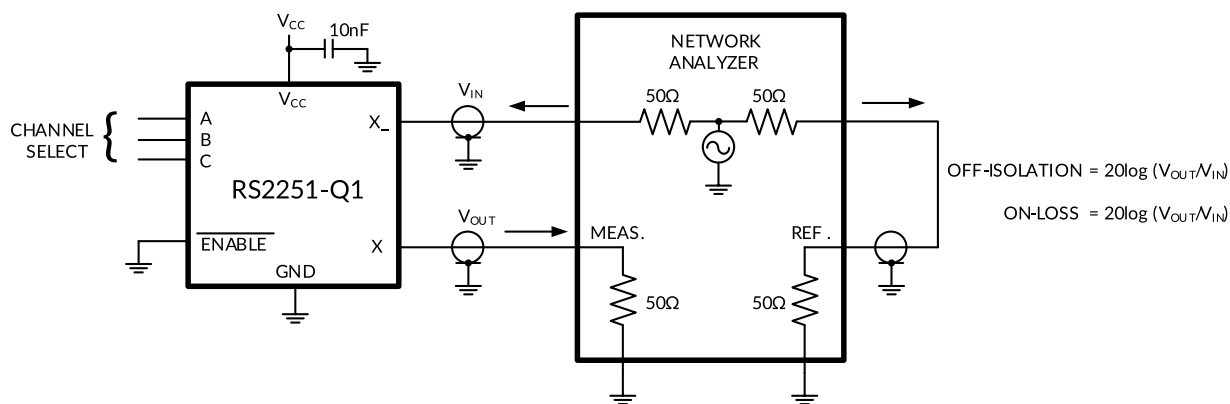


Figure 5. Charge Injection (Q)



MEASUREMENTS ARE STANDARDIZED AGAINST SHORT AT SOCKET TERMINALS .
 OFF-ISOLATION IS MEASURED BETWEEN COM AND "OFF" NO TERMINAL ON EACH SWITCH .
 ON-LOSS IS MEASURED BETWEEN COM AND "ON" NO TERMINAL ON EACH SWITCH .
 SIGNAL DIRECTION THROUGH SWITCH IS REVERSED ; WORST VALUES ARE RECORDED .

Figure 6. Off Isolation, On Loss

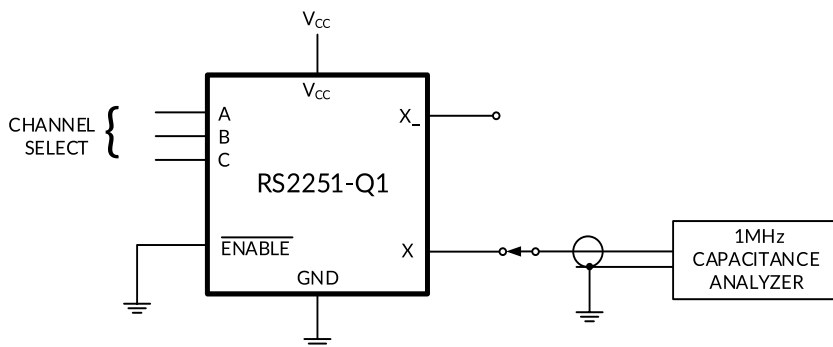


Figure 7. Capacitance

11 Application and Implementation

Information in the following applications sections is not part of the Runic component specification, and Runic does not warrant its accuracy or completeness. Runic's customers are responsible for determining suitability of components for their purposes. Customers should validate and test their design implementation to confirm system functionality.

11.1 APPLICATION NOTES

The RS2251-Q1 device is a single 8-channel multiplexer having three binary control inputs, A, B, and C, and an inhibit input. The three binary signals select 1 of 8 channels to be turned on and connect one of the 8 inputs to the output.

One application of the RS2251-Q1 is to use it in conjunction with a microcontroller to poll a keypad. Figure 8 shows the basic schematic for such a polling system. The microcontroller uses the channel select pins to cycle through the different channels while reading the input to see if a user is pressing any of the keys. This is a very robust setup, allowing for multiple simultaneous key-presses with very little power consumption. It also utilizes very few pins on the microcontroller. The down side of polling is that the microcontroller must continually scan the keys for a press and can do little else during this process.

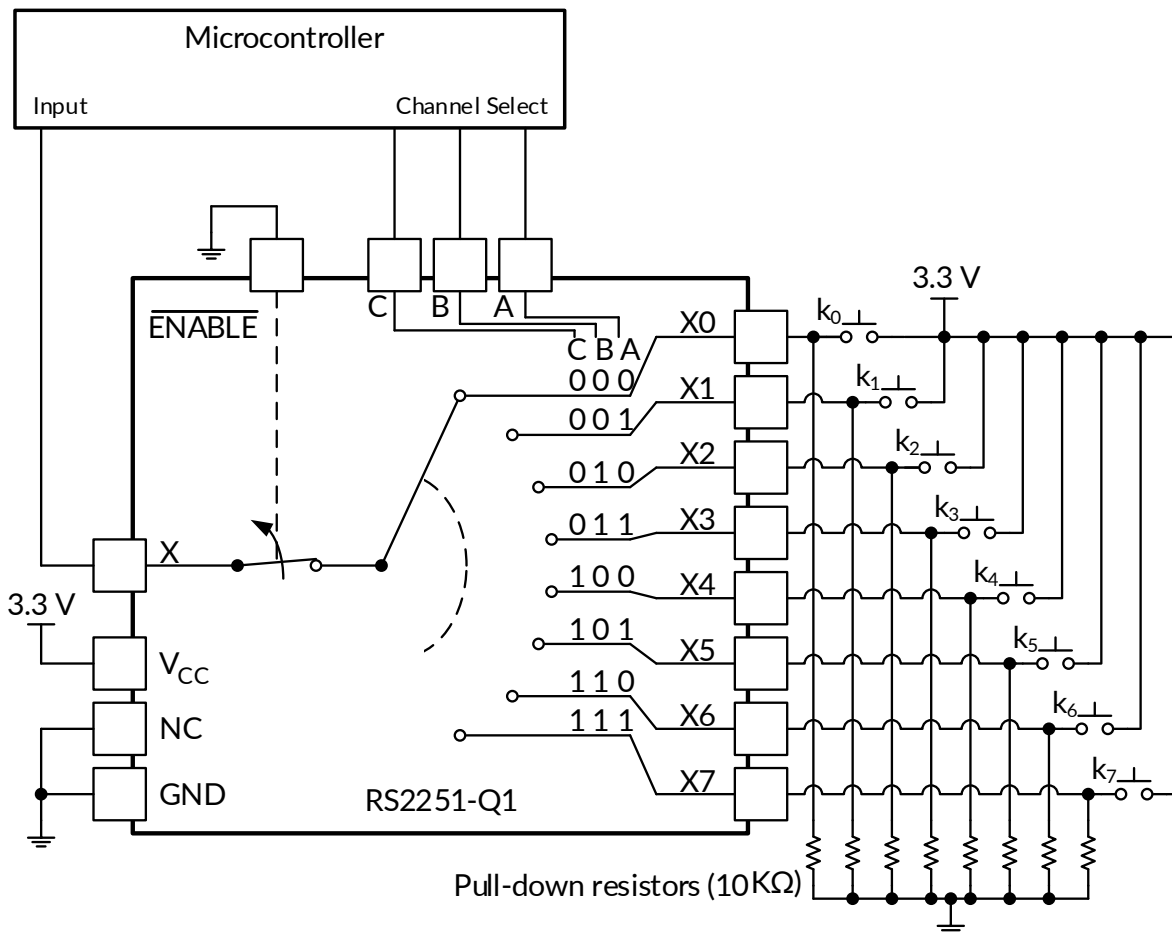
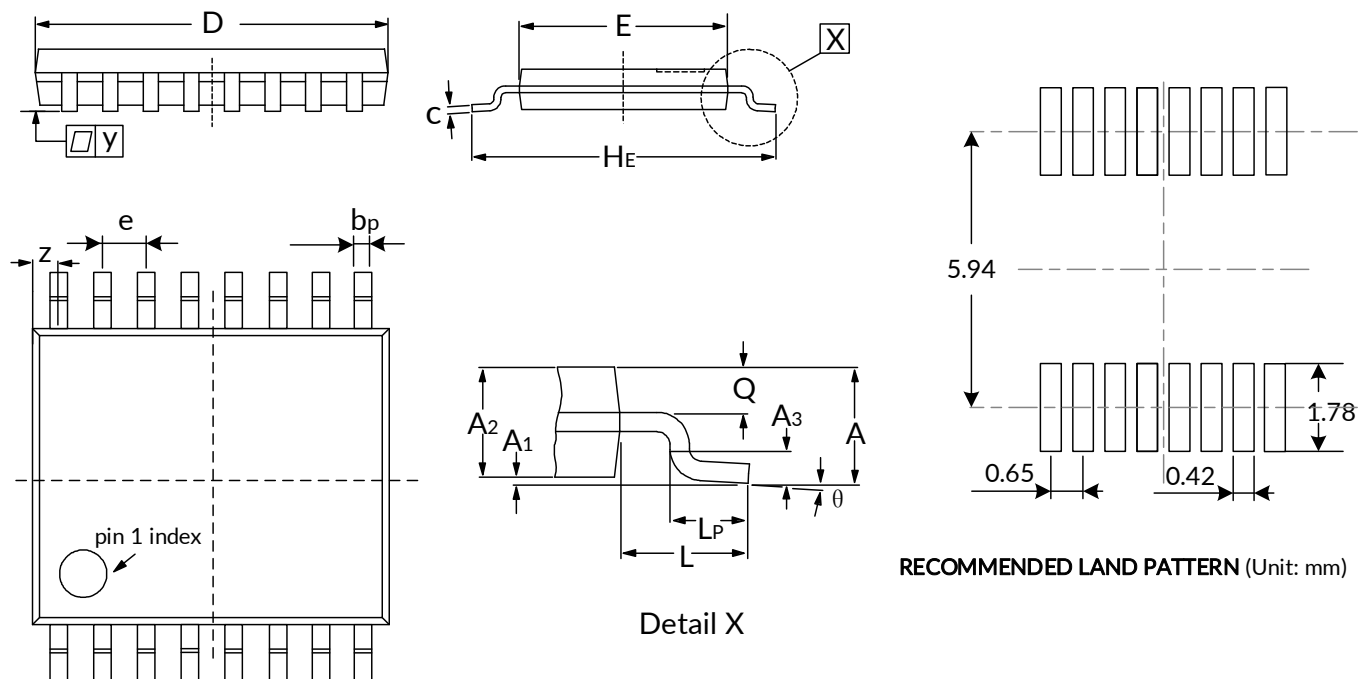


Figure 8. The RS2251-Q1 Being Used to Help Read Button Presses on a Keypad.

12 PACKAGE OUTLINE DIMENSIONS

TSSOP16⁽²⁾



RECOMMENDED LAND PATTERN (Unit: mm)

Symbol	Dimensions In Millimeters		Dimensions In Inches	
	Min	Max	Min	Max
A ⁽¹⁾		1.100		0.043
A ₁	0.050	0.150	0.002	0.006
A ₂	0.800	0.950	0.031	0.037
A ₃	0.25		0.010	
b _p	0.190	0.300	0.007	0.012
c	0.100	0.200	0.004	0.008
D ⁽¹⁾	4.900	5.100	0.193	0.201
E ⁽¹⁾	4.300	4.500	0.169	0.177
H _E	6.200	6.600	0.244	0.260
e	0.650		0.026	
L	1		0.039	
L _P	0.500	0.750	0.020	0.030
Q	0.300	0.400	0.012	0.016
Z	0.060	0.400	0.002	0.016
y	0.1		0.004	
θ	0°	8°	0°	8°

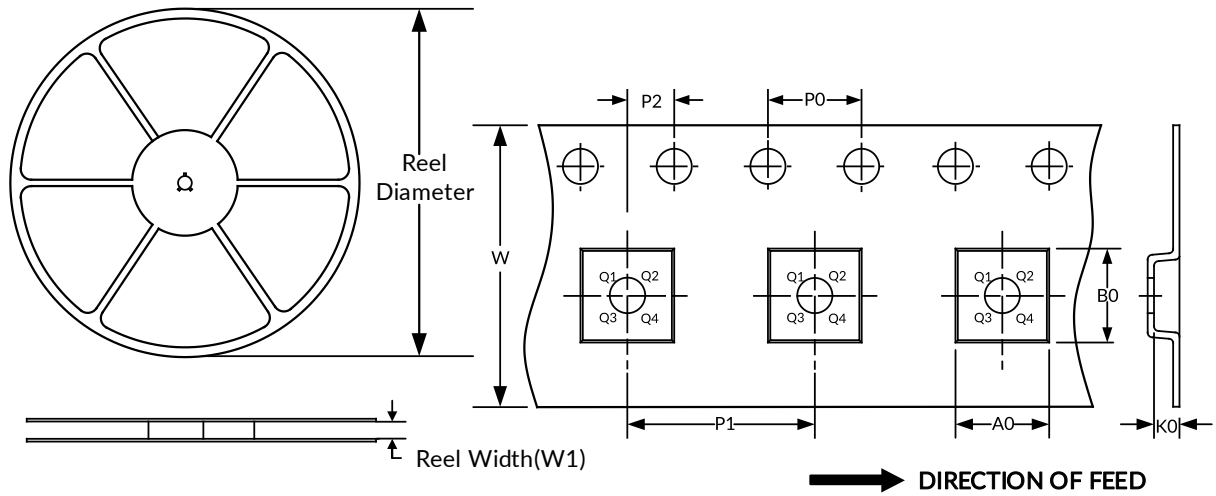
NOTE:

1. Plastic or metal protrusions of 0.15mm maximum per side are not included.
2. This drawing is subject to change without notice.

13 TAPE AND REEL INFORMATION

REEL DIMENSIONS

TAPE DIMENSION



NOTE: The picture is only for reference. Please make the object as the standard.

KEY PARAMETER LIST OF TAPE AND REEL

Package Type	Reel Diameter	Reel Width(mm)	A0 (mm)	B0 (mm)	K0 (mm)	P0 (mm)	P1 (mm)	P2 (mm)	W (mm)	Pin1 Quadrant
TSSOP16	13"	12.4	6.90	5.60	1.20	4.0	8.0	2.0	12.0	Q1

NOTE:

1. All dimensions are nominal.
2. Plastic or metal protrusions of 0.15mm maximum per side are not included.

IMPORTANT NOTICE AND DISCLAIMER

Jiangsu Runic Technology Co., Ltd. will accurately and reliably provide technical and reliability data (including data sheets), design resources (including reference designs), application or other design advice, WEB tools, safety information and other resources, without warranty of any defect, and will not make any express or implied warranty, including but not limited to the warranty of merchantability Implied warranty that it is suitable for a specific purpose or does not infringe the intellectual property rights of any third party.

These resources are intended for skilled developers designing with Runic products You will be solely responsible for: (1) Selecting the appropriate products for your application; (2) Designing, validating and testing your application; (3) Ensuring your application meets applicable standards and any other safety, security or other requirements; (4) Runic and the Runic logo are registered trademarks of Runic Incorporated. All trademarks are the property of their respective owners; (5) For change details, review the revision history included in any revised document. The resources are subject to change without notice. Our company will not be liable for the use of this product and the infringement of patents or third-party intellectual property rights due to its use.