

# RS90LV012 3.3V LVDS Single CMOS Differential Line Receiver

## 1 FEATURES

- **Compatible with ANSI TIA/EIA-644-A Standard**
- **>400Mbps (200MHz) switching rates**
- **100ps differential skew (typical)**
- **3.5ns maximum propagation delay**
- **Single 3.3V power supply design (2.7 to 3.6V range)**
- **Power down high impedance on LVDS inputs**
- **Accepts small swing (350mV typical) differential signal levels**
- **LVDS receiver inputs accept LVDS/BLVDS/LVPECL inputs**
- **Supports open, short and terminated input fail-safe**
- **Pinout simplifies PCB layout**
- **Low Power Dissipation (10mW typical@ 3.3V static)**
- **SOT23-5 lead package**
- **Industrial temperature operating range (-40°C to +85°C)**

## 2 APPLICATIONS

- **Multifunction Printers**
- **LVC MOS-LVDS Translation**
- **Building and Factory Automation**
- **Grid Infrastructure**

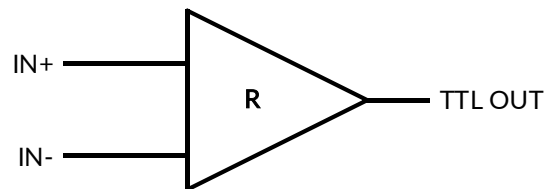
## 3 ADVANTAGES

>400Mbps Switching Rates  
 Accept small input swing ( $\pm 350\text{mV}$  typically) support open, shorted, and terminated ( $100\Omega$ ) input fail-safe.  
 SOT23-5 Lead Package.

**Device Information** <sup>(1)</sup>

PART NUMBER	PACKAGE	BODY SIZE(NOM)
RS90LV012	SOT23-5	2.92mm×1.60mm

(1) For all available packages, see the orderable addendum at the end of the data sheet.



**Figure 1. Functional Diagram**

---

## Table of Contents

<b>1 FEATURES</b> .....	1
<b>2 APPLICATIONS</b> .....	1
<b>3 ADVANTAGES</b> .....	1
<b>4 REVISION HISTORY</b> .....	3
<b>5 PACKAGE/ORDERING INFORMATION</b> <sup>(1)</sup> .....	4
<b>6 DESCRIPTIONS</b> .....	5
<b>7 PIN CONFIGURATIONS</b> .....	6
<b>8 SPECIFICATIONS</b> .....	7
8.1 Absolute Maximum Ratings .....	7
8.2 Recommended Operating Conditions .....	7
8.3 ESD Ratings .....	7
8.4 Electrical Characteristics .....	8
8.5 Switching Characteristics .....	8
<b>9 PARAMETER MEASUREMENT INFORMATION</b> .....	9
<b>10 PACKAGE OUTLINE DIMENSIONS</b> .....	10
<b>11 TAPE AND REEL INFORMATION</b> .....	11

## 4 REVISION HISTORY

Note: Page numbers for previous revisions may differ from page numbers in the current version.

<b>VERSION</b>	<b>Change Date</b>	<b>Change Item</b>
A.0	2023/08/14	Initial version
A.1	2024/03/25	1. Added Min and Max measurement results 2. Added PACKAGE/ORDERING INFORMATION and TAPE AND REEL INFORMATION
A.2	2024/07/29	1. Update product to: RS90LV012 2. Update MSL

**5 PACKAGE/ORDERING INFORMATION <sup>(1)</sup>**

<b>PRODUCT</b>	<b>ORDERING NUMBER</b>	<b>PACKAGE LEAD</b>	<b>TEMPERATURE RANGE</b>	<b>PACKAGE MARKING <sup>(2)</sup></b>	<b>MSL <sup>(3)</sup></b>	<b>PACKAGE OPTION</b>
RS90LV012	RS90LV012YF5	SOT23-5	-40°C ~+85°C	LV012	MSL3	Tape and Reel,3000

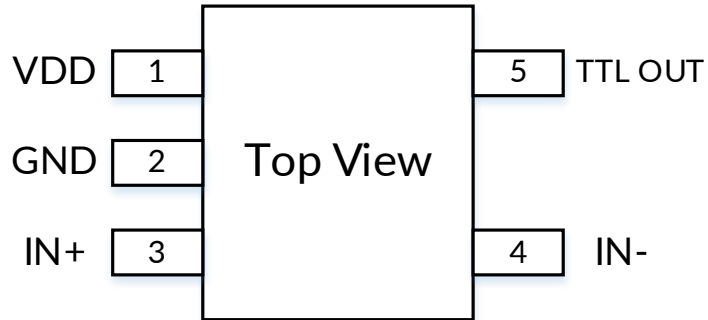
**NOTE:**

- (1) This information is the most current data available for the designated devices. This data is subject to change without notice and revision of this document. For browser-based versions of this data sheet, refer to the right-hand navigation.
- (2) There may be additional marking, which relates to the lot trace code information (data code and vendor code), the logo or the environmental category on the device.
- (3) Runic classify the MSL level with using the common preconditioning setting in our assembly factory conforming to the JEDEC industrial standard J-STD-20F, Please align with Runic if your end application is quite critical to the preconditioning setting or if you have special requirement.

## **6 DESCRIPTIONS**

The RS90LV012 is positioned as a single-channel LVDS receiver for high-speed, low-power application scenarios. RS90LV012 accept low voltage (350mV typical) differential input signals and translates them to 3V CMOS output levels. The devices are designed to support data rates in excess of 400Mbps (200MHz). RS90LV012 support open, shorted, and terminated (100Ω) input fail-safe. The target markets for this product are communications and industrial.

## 7 PIN CONFIGURATIONS



**Figure 2. Pin Definition**

### Pin Descriptions

PIN	NAME	FUNCTION
<b>SOT23-5</b>		
5	TTL OUT	Receiver output pin
4	IN-	Inverting receiver input pin
3	IN+	Non-inverting receiver input pin
2	GND	Ground pin
1	VDD	Power supply pin, +3.3±0.3V

## 8 SPECIFICATIONS

### 8.1 Absolute Maximum Ratings

PARAMETER	MIN	MAX	UNIT
Supply Voltage (VDD)	-0.3	4	V
LVC MOS input voltage (TTL IN)	-0.3	3.9	V
LVDS output voltage (OUT±)	-0.3	(V <sub>DD</sub> + 0.3)	V
Output Short Circuit Current		-100	mA
Thermal Resistance ( $\theta_{JA}$ )		138.5	°C/W
Storage Temperature	-65	150	°C
Maximum Junction Temperature		150	°C

Note:

1. "Absolute Maximum Ratings" are those values beyond which the safety of the device cannot be specified. They are not meant to imply that the devices should be operated at these limits.

### 8.2 Recommended Operating Conditions

	MIN	TYP	MAX	UNIT
Supply Voltage (VDD)	2.7	3.3	3.6	V
Operating Free Air Temperature (T <sub>A</sub> )	-40	25	85	°C

### 8.3 ESD Ratings

The following ESD information is provided for handling of ESD-sensitive devices in an ESD protected area only.

		VALUE	UNIT
V <sub>(ESD)</sub>	HBM(1.5k $\Omega$ ,100pF)	≥5000	V
	CDM(0 $\Omega$ ,0pF)	≥2000	V
	LATCH UP	≥400	mA



Electric devices and circuit boards may discharge undetected. Although this product has a patented or proprietary protection circuit, the device may be damaged when exposed to high energy ESD. Therefore, appropriate ESD prevention measures should be taken to avoid device performance degradation or loss of function.

## 8.4 Electrical Characteristics

Over Supply Voltage and Operating Temperature ranges, unless otherwise specified.

SYMBOL	PARAMETER	CONDITIONS	MIN	TYP	MAX	UNIT
V <sub>TH</sub>	Differential Input High Threshold	V <sub>CM</sub> dependant on V <sub>DD</sub>		-25	0	mV
V <sub>TL</sub>	Differential Input Low Threshold		-100	-25		mV
V <sub>CM</sub>	Common-Mode Voltage	V <sub>DD</sub> = 2.7V, V <sub>ID</sub> = 100mV	0.05		2.35	V
		V <sub>DD</sub> = 3 to 3.6V, V <sub>ID</sub> = 100mV	0.05		V <sub>DD</sub> -0.3	V
I <sub>IN</sub>	Input Current	V <sub>IN</sub> = 2.8 or 0V, V <sub>DD</sub> = 3.6 or 0V	-10	±4	+10	uA
I <sub>IND</sub>	Differential Input Current	V <sub>IN+</sub> = 0.4V, V <sub>IN-</sub> = 0V	3	3.9	4.4	mA
C <sub>IN</sub>	Input Capacitance	IN+ = IN- = GND		3		pF
V <sub>OH</sub>	Output High Voltage	I <sub>OH</sub> = -0.4mA, V <sub>ID</sub> = 200mV	2.4	3.2		V
		I <sub>OH</sub> = -0.4mA, Inputs terminated	2.4	3.2		V
		I <sub>OH</sub> = -0.4mA, Inputs shorted	2.4	3.2		V
V <sub>OL</sub>	Output Low Voltage	I <sub>OH</sub> = 2mA, V <sub>ID</sub> = -200mV		0.1	0.5	V
I <sub>OS</sub>	Output Short Circuit Current	V <sub>OUT</sub> = 0V	-15	-50	-100	mA
I <sub>DD</sub>	No Load Supply Current	Inputs Open		4.2	8	mA

Note:

1. Current into device pins is defined as positive. Current out of device pins is defined as negative.
2. All typicals are given for: V<sub>DD</sub>=3.3V and T<sub>A</sub>=25°C.

## 8.5 Switching Characteristics

Over Supply Voltage and Operating Temperature ranges, unless otherwise specified.

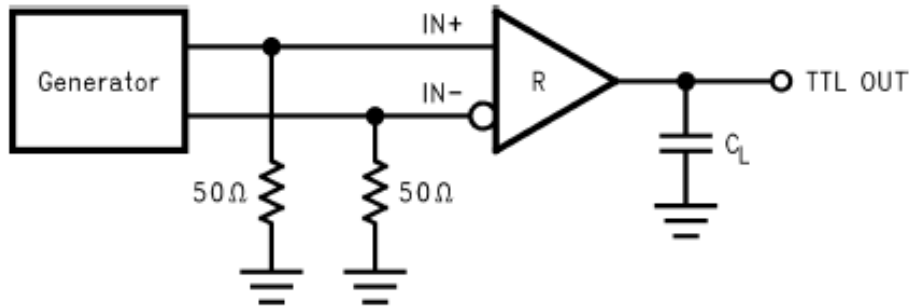
SYMBOL	PARAMETER	CONDITIONS	MIN	TYP	MAX	UNIT
t <sub>PHLD</sub>	Differential Propagation Delay High to Low	R <sub>L</sub> =100Ω (Figure 3 and Figure 4)	1	1.8	3.5	ns
t <sub>PLHD</sub>	Differential Propagation Delay Low to High		1	1.7	3.5	ns
t <sub>SKD1</sub>	Differential Pulse Skew  t <sub>PHLD</sub> - t <sub>PLHD</sub>		0	0.1	0.4	ns
t <sub>TLH</sub>	Rise Time			0.5	0.8	ns
t <sub>THL</sub>	Fall Time			0.3	0.8	ns
f <sub>MAX</sub>	Maximum Operating Frequency		200	250		MHz

Note:

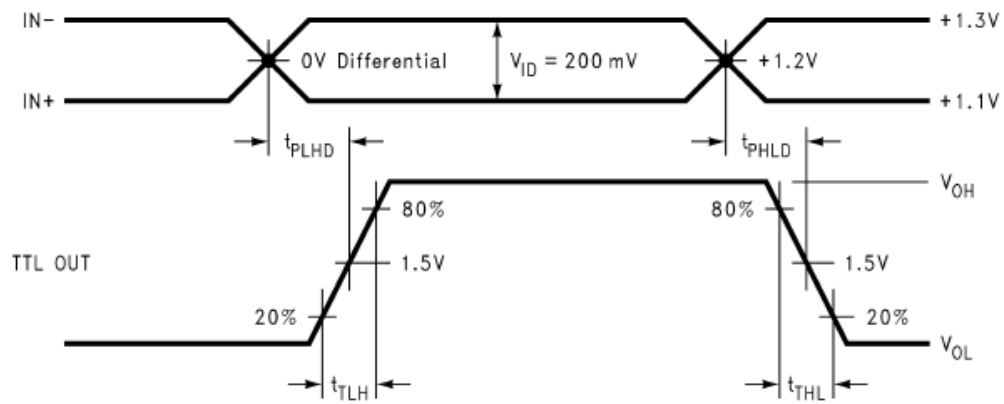
1. Generator waveform for all tests unless otherwise specified: f = 1MHz, Z<sub>o</sub>=50Ω, t<sub>r</sub> and t<sub>f</sub>(0% to 100%) ≤ 3 ns for IN±.
2. f<sub>MAX</sub> generator input conditions: t<sub>r</sub> = t<sub>f</sub> < 1ns (0%-100%), 50% duty cycle, differential (1.05 to 1.35V peak to peak). Output criteria: 60%/40% duty cycle, V<sub>OL</sub> (max 0.4V), V<sub>OH</sub> (min 2.4V).
3. Figure 3 shows the test circuits used for switching characteristics. Figure 4 shows the timing diagram between input and output of the receiver, it also shows the rise and fall time of the output.



## 9 PARAMETER MEASUREMENT INFORMATION



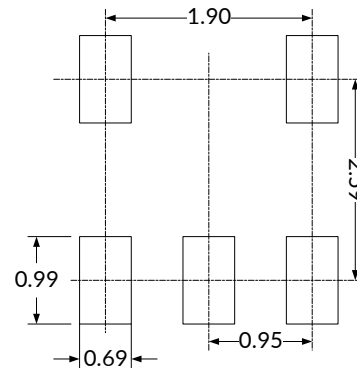
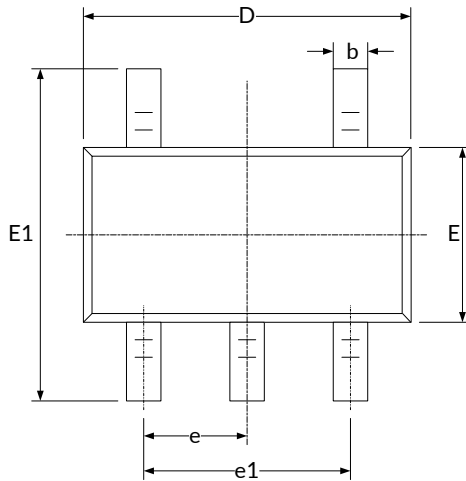
**Figure 3. Receiver Propagation Delay and Transition Time Test Circuit**



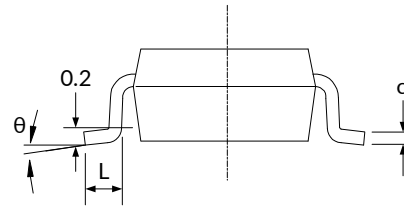
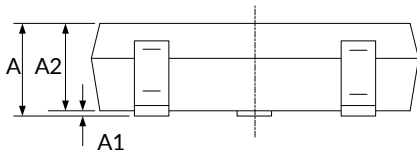
**Figure 4. Receiver Propagation Delay and Transition Time Waveforms**

# 10 PACKAGE OUTLINE DIMENSIONS

## SOT23-5<sup>(3)</sup>



RECOMMENDED LAND PATTERN (Unit: mm)



Symbol	Dimensions In Millimeters		Dimensions In Inches	
	Min	Max	Min	Max
A <sup>(1)</sup>	1.050	1.250	0.041	0.049
A1	0.000	0.100	0.000	0.004
A2	1.050	1.150	0.041	0.045
b	0.300	0.500	0.012	0.020
c	0.100	0.200	0.004	0.008
D <sup>(1)</sup>	2.820	3.020	0.111	0.119
E <sup>(1)</sup>	1.500	1.700	0.059	0.067
E1	2.650	2.950	0.104	0.116
e	0.950(BSC) <sup>(2)</sup>		0.037(BSC) <sup>(2)</sup>	
e1	1.800	2.000	0.071	0.079
L	0.300	0.600	0.012	0.024
$\theta$	0°	8°	0°	8°

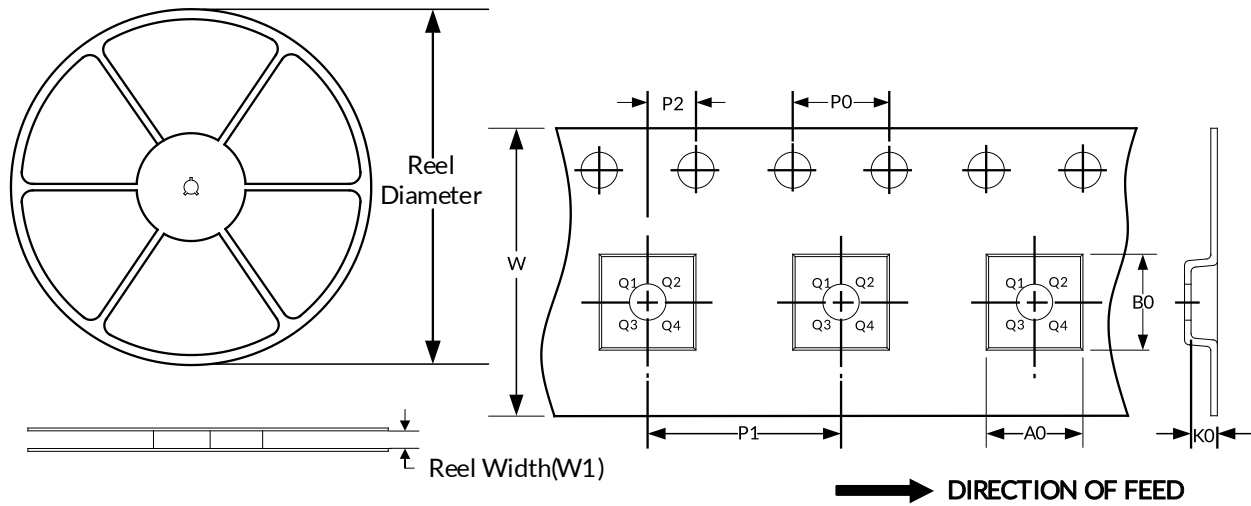
NOTE:

1. Plastic or metal protrusions of 0.15mm maximum per side are not included.
2. BSC (Basic Spacing between Centers), "Basic" spacing is nominal.
3. This drawing is subject to change without notice.

# 11 TAPE AND REEL INFORMATION

## REEL DIMENSIONS

## TAPE DIMENSION



NOTE: The picture is only for reference. Please make the object as the standard.

### KEY PARAMETER LIST OF TAPE AND REEL

Package Type	Reel Diameter	Reel Width(mm)	A0 (mm)	B0 (mm)	K0 (mm)	P0 (mm)	P1 (mm)	P2 (mm)	W (mm)	Pin1 Quadrant
SOT23-5	7"	9.5	3.20	3.20	1.40	4.0	4.0	2.0	8.0	Q3

NOTE:

1. All dimensions are nominal.
2. Plastic or metal protrusions of 0.15mm maximum per side are not included.

## **IMPORTANT NOTICE AND DISCLAIMER**

Jiangsu Runic Technology Co., Ltd. will accurately and reliably provide technical and reliability data (including data sheets), design resources (including reference designs), application or other design advice, WEB tools, safety information and other resources, without warranty of any defect, and will not make any express or implied warranty, including but not limited to the warranty of merchantability Implied warranty that it is suitable for a specific purpose or does not infringe the intellectual property rights of any third party.

These resources are intended for skilled developers designing with Runic products You will be solely responsible for: (1) Selecting the appropriate products for your application; (2) Designing, validating and testing your application; (3) Ensuring your application meets applicable standards and any other safety, security or other requirements; (4) Runic and the Runic logo are registered trademarks of Runic INCORPORATED. All trademarks are the property of their respective owners; (5) For change details, review the revision history included in any revised document. The resources are subject to change without notice. Our company will not be liable for the use of this product and the infringement of patents or third-party intellectual property rights due to its use.